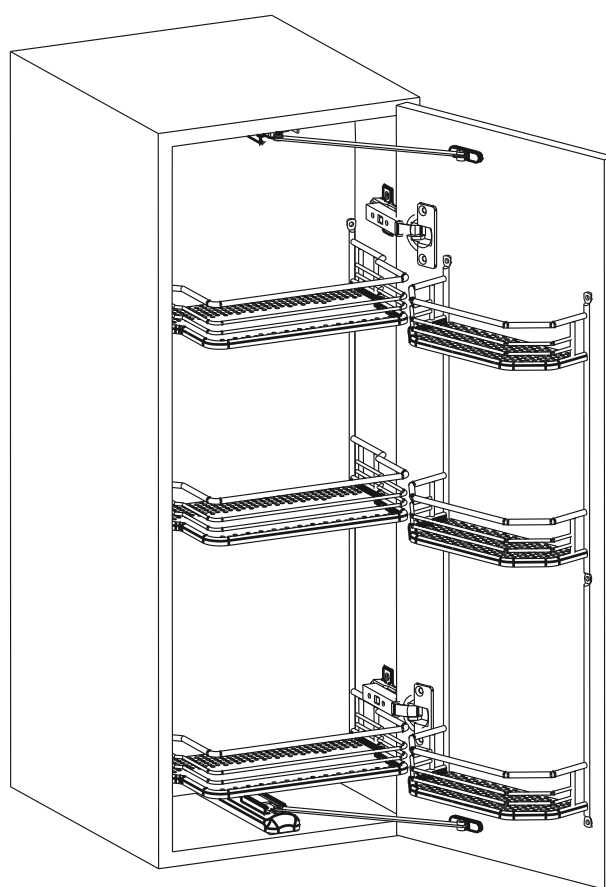
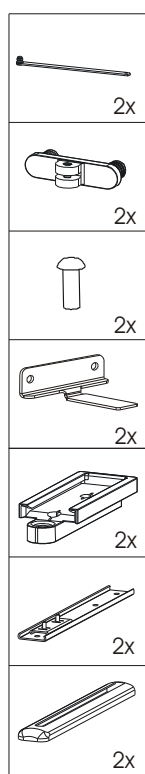
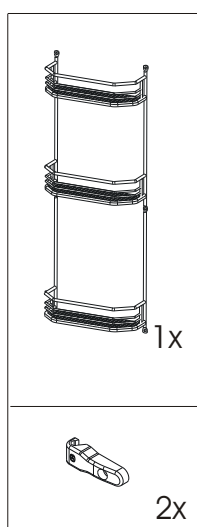
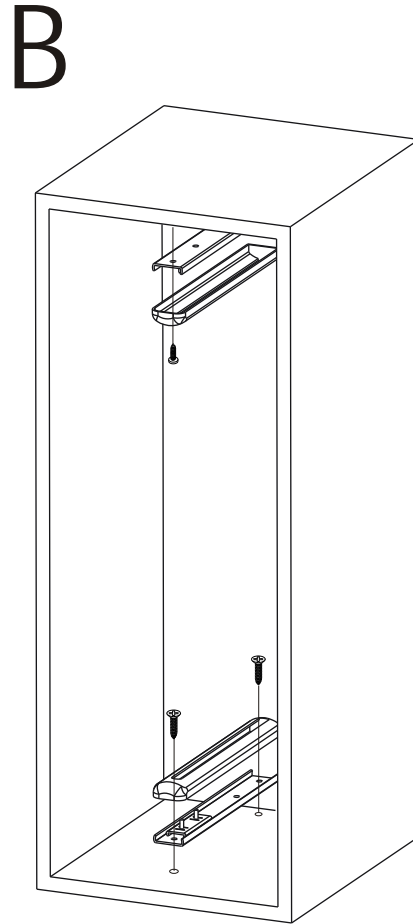
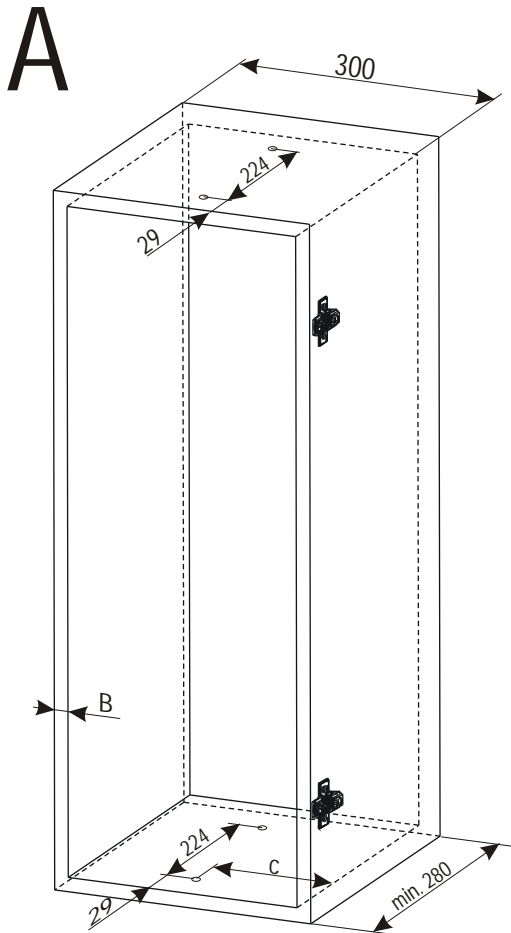


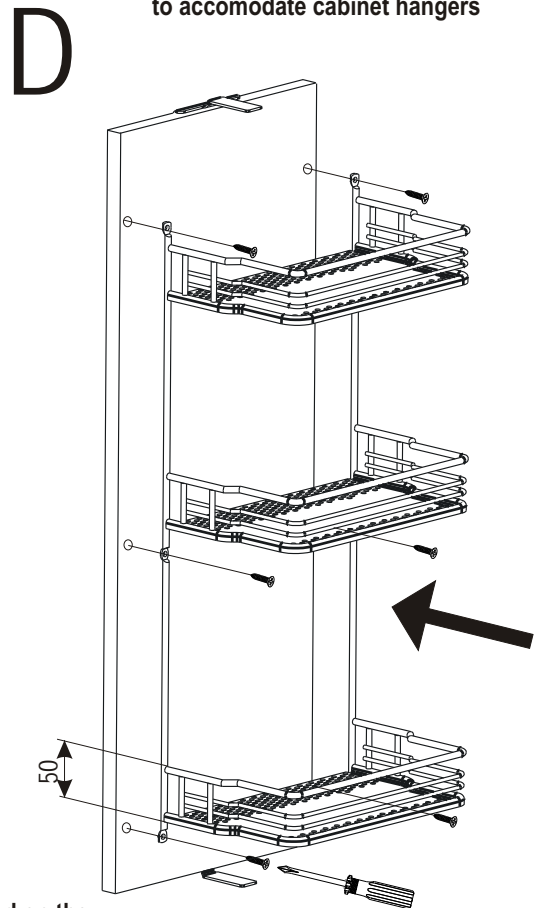
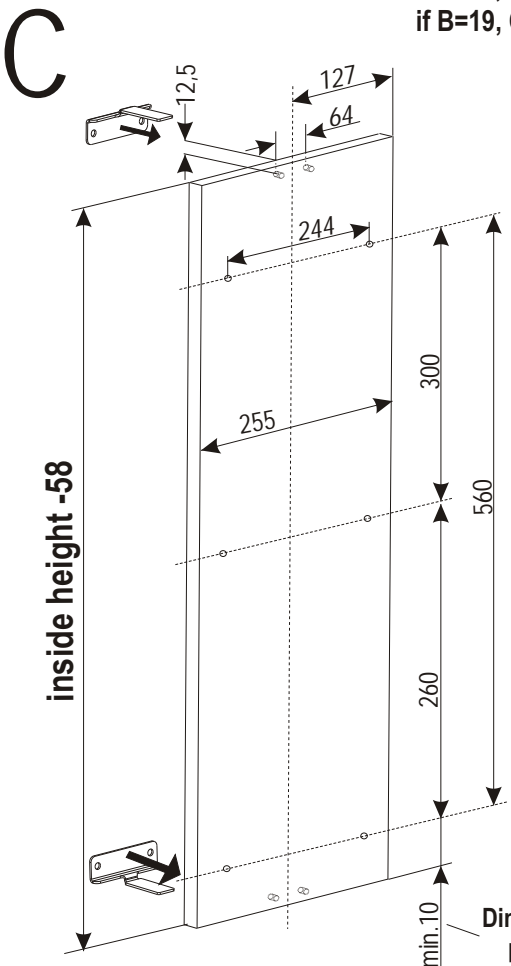
Mounting instruction Tandem pull-out for wall units Art.-No. 011272



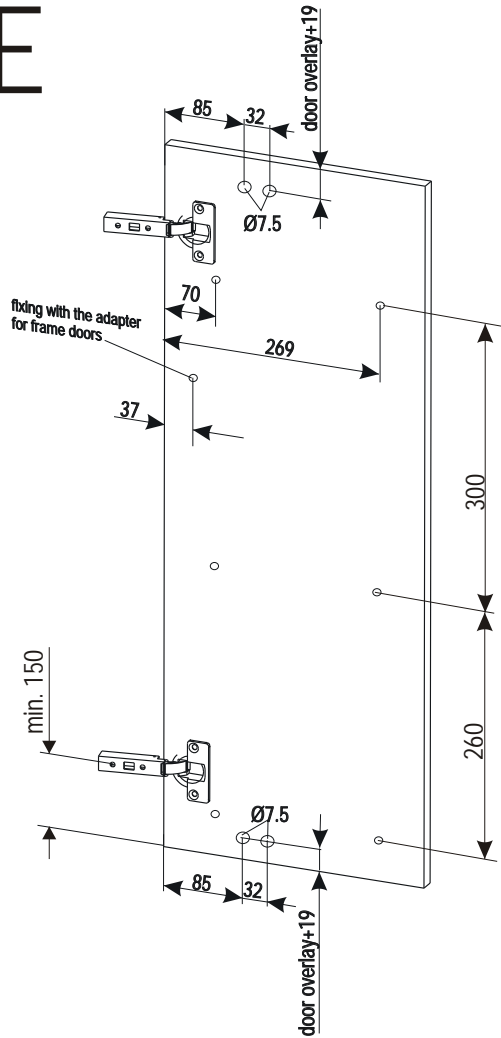


if B=16, C=134
 if B=18, C=132
 if B=19, C=131

Note: the backboard may need to be notched out to accommodate cabinet hangers

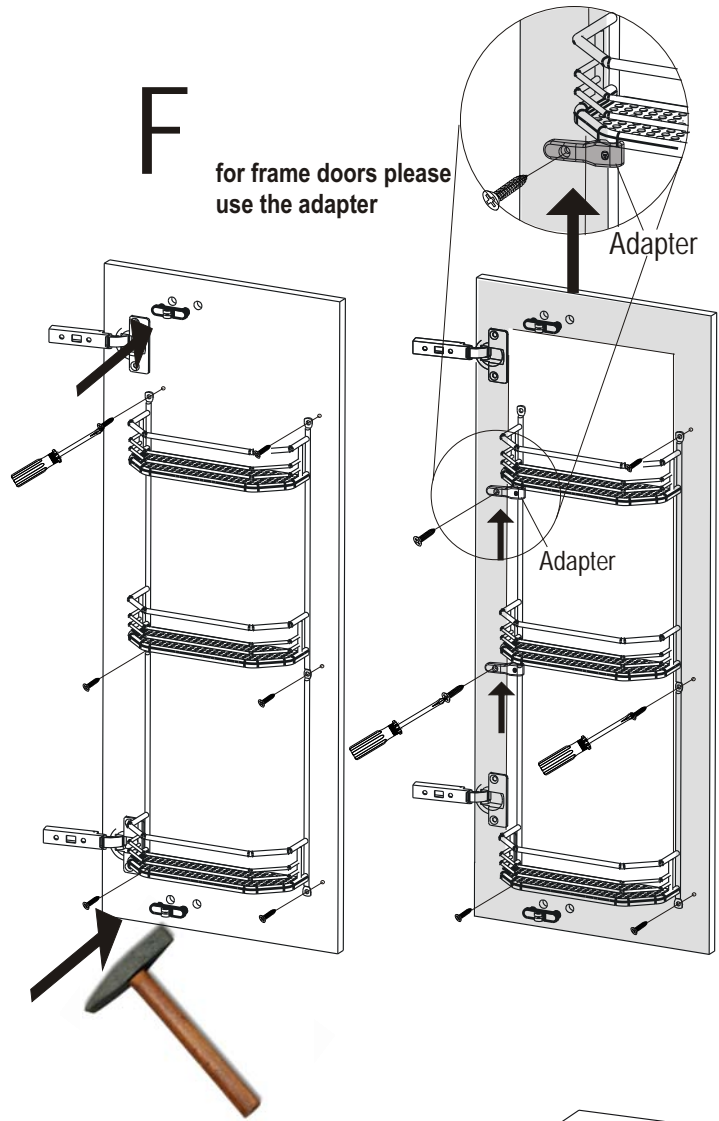


E

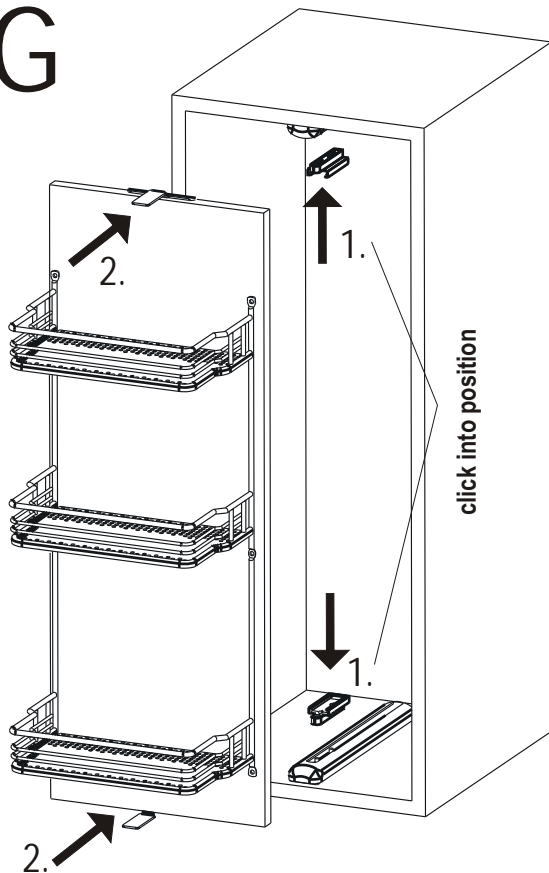


F

for frame doors please use the adapter

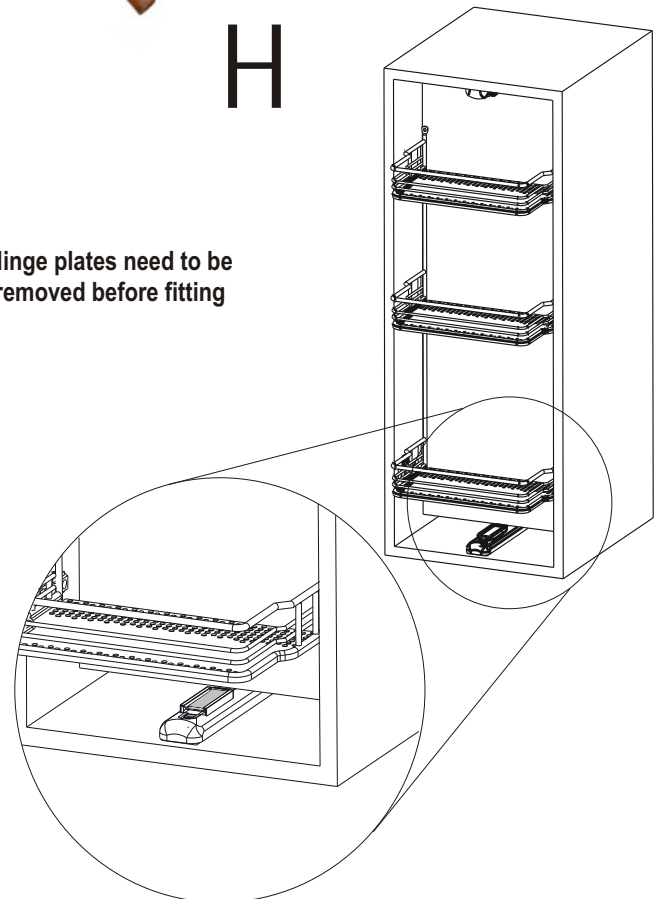


G

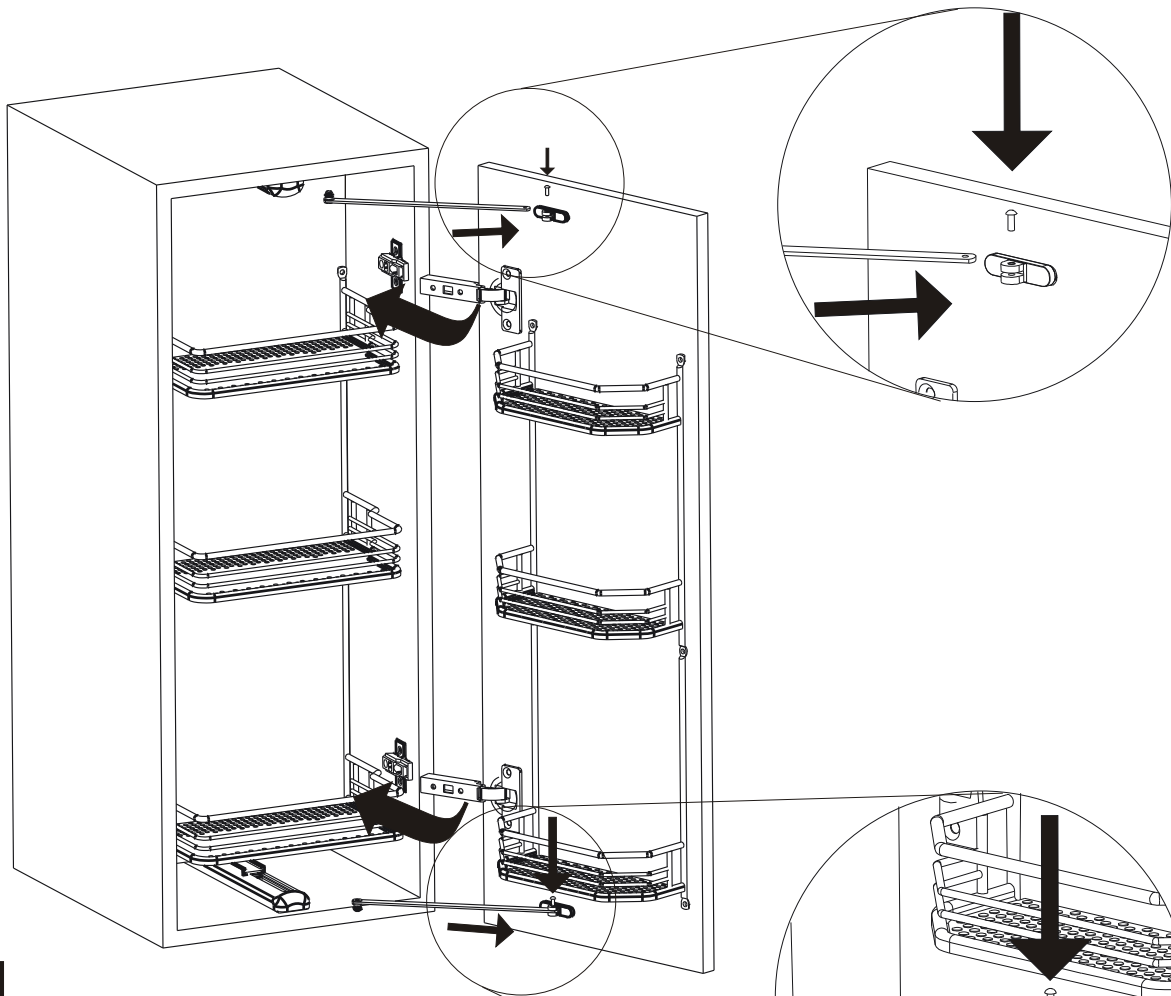


H

Hinge plates need to be removed before fitting



I



J

